

AC Capacitive CQ32X series sensors



Shanghai Lanbao Sensing Technology Co., Ltd.

AC Capacitive CQ32X series sensors

Product advantages

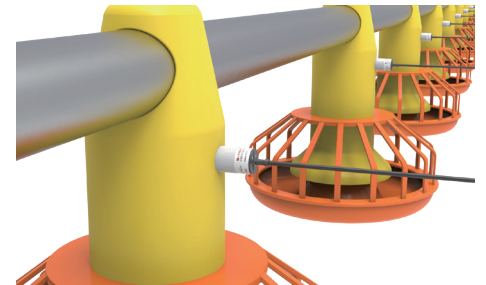
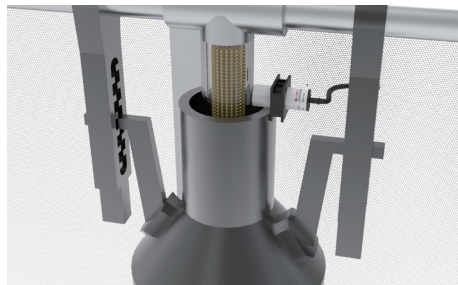
- IP67 protection class
- Excellent EMC design, high stability
- AC and DC two-wire output to meet the needs of multi-scenario applications

Integrated shell design
high protection level

Before and after delay time
precise adjustment

Multi-turn potentiometer design
high adjustment accuracy

Applications



Detection of packaging box

CQ32X series, excellent EMC design, stable detection of food packaging boxes on the assembly line without being affected by different colors.

Detection of seeds

CQ32X series, equipped with multi-turn potentiometer to adjust sensitivity, accurate distance adjustment, accurate detection of seed, less vulnerable to dust attachments.

Detection of feed

CQ32X series, integrated shell design, effectively dust-proof and moisture-proof, stable detection of feed in harsh environment of animal husbandry industry.

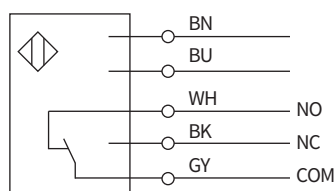
Specification

Type	Model
AC 5 wires NO+NC	CQ32XSCF15AK No delay
AC 5 wires NO+NC	CQ32XSCF15AK -T1 Before delay 600s
AC 5 wires NO+NC	CQ32XSCF15AK -T2 After delay 600s
Installation type	Quasi-flush
Rated distance	15mm ^①
Ensure distance	0-10.8mm
Adjust the distance	4...20mm
Adjustment method	Multi-turn potentiometer(electrical adjustment>10)
Standard test object	Φ 45*1t St45(earthing) ^②
Supply voltage	20...250V AC
Load current	≤2A
Current	20VAC:<25mA;250VAC:5mA
Switch point offset	≤±10%
Temperature drift	≤±20%
Hysteresis range	3...20%
Repetitive error	≤5%
Indicator	Output indication:Yellow LED
Ambient temperature	when working:-25...70°C(No icing, no condensation);when stored:-30...80°C(No icing, no condensation)
Environment humidity	35...95%RH(No icing, no condensation)
Vibration resistant	10...55Hz,Dual amplitude1mm(2 hours each in X, Y, and Z directions)
Impulse withsand	30g/11ms,3 times each for X,Y,Z direction
High pressure resistant	1000V/AC 50/60Hz 60s
Insulation resistance	≥50MΩ(500VDC)
Shape specification	φ32*80mm
Protection degree	IP67
Housing material	PC/PBT
Connection type	2m PVC Cable

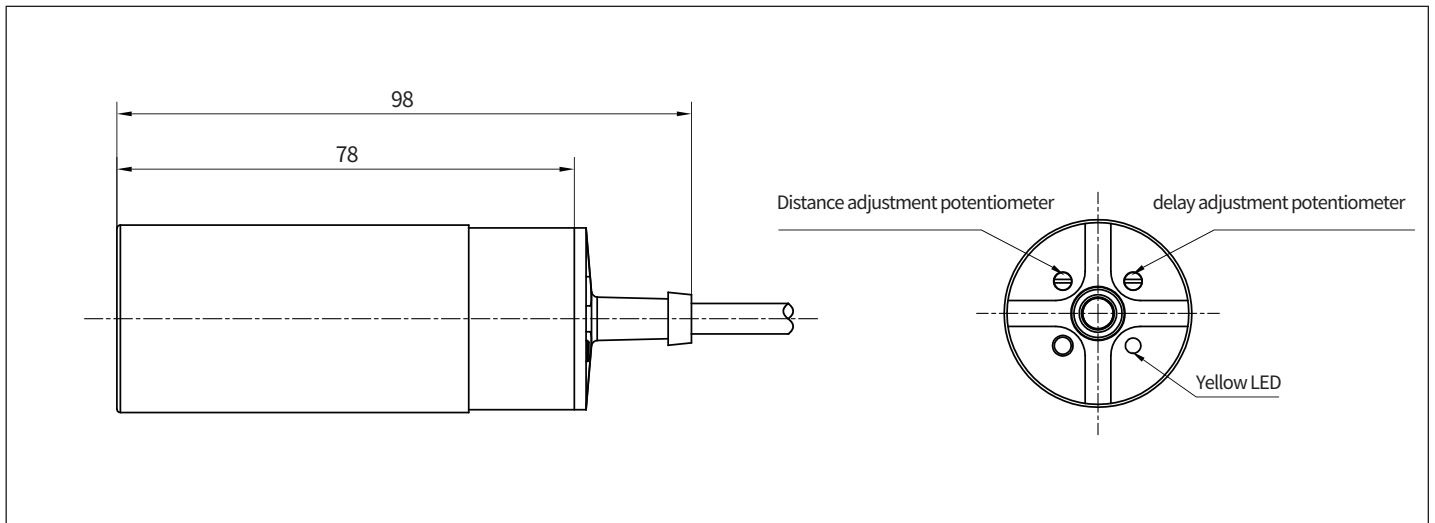
Remark: ①the factory default sensing distance is $S_n \pm 10\%$

②unit: mm

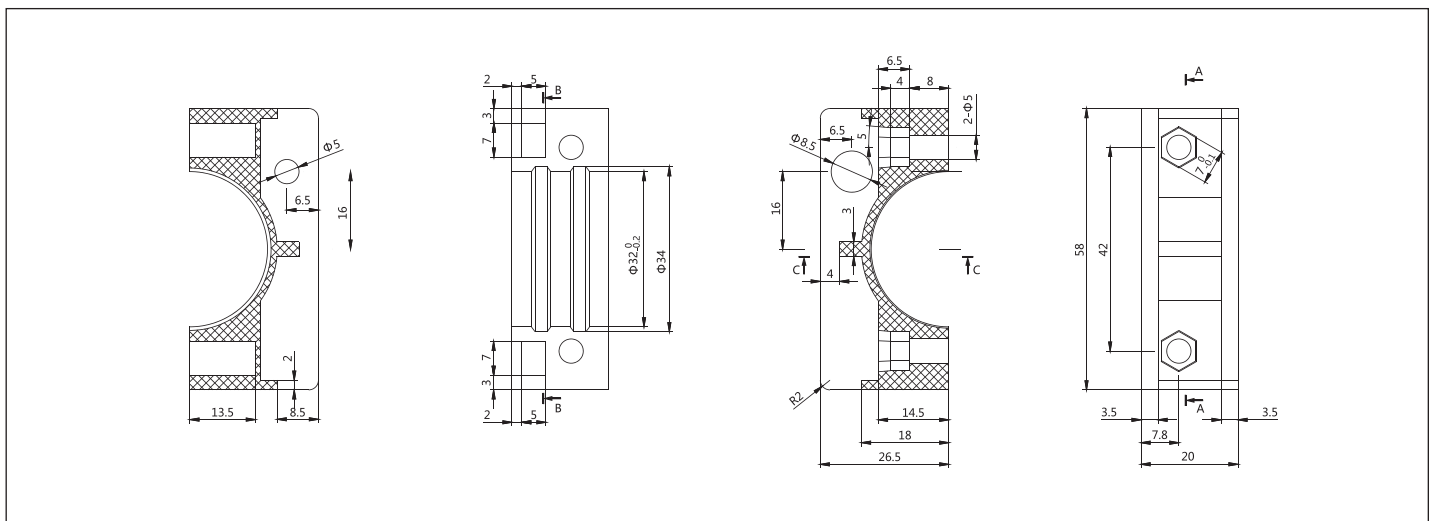
Wiring Diagram



Dimension dwg



Mounting bracket (ZJC-2)



Product Installation Diagram



Installation type	Trigger sensing distance	A	A	A	A	A	A
quasi-flush	15mm	15mm	30mm	32mm	20mm	10mm	31mm

Hotline **800-820-8259**



Shanghai Lanbao Sensing Technology Co., Ltd.

www.lanbaosensor.com

Add: No.228 Jinbi Road, Jinhui Industrial Park, Fengxian Area,
Shanghai, China 201404(Lanbao Technology Park)

TeL: 86-21-57486188

Fax: 86-21-57486199

E-mail: market@shlanbao.cn



Welcome to call Lanbao for the latest product information
Lanbao reserves the rights to make changes

LB-CQ32X-2022 V1.0